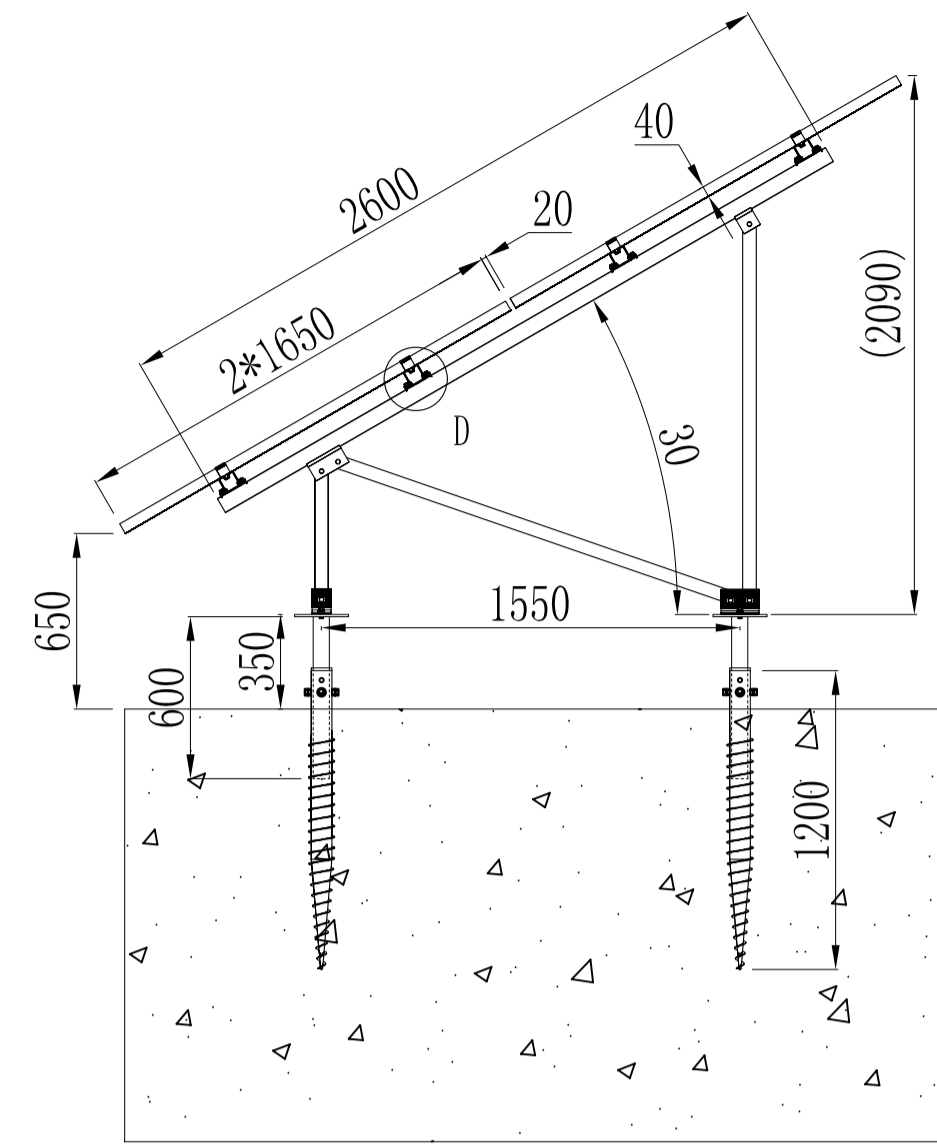
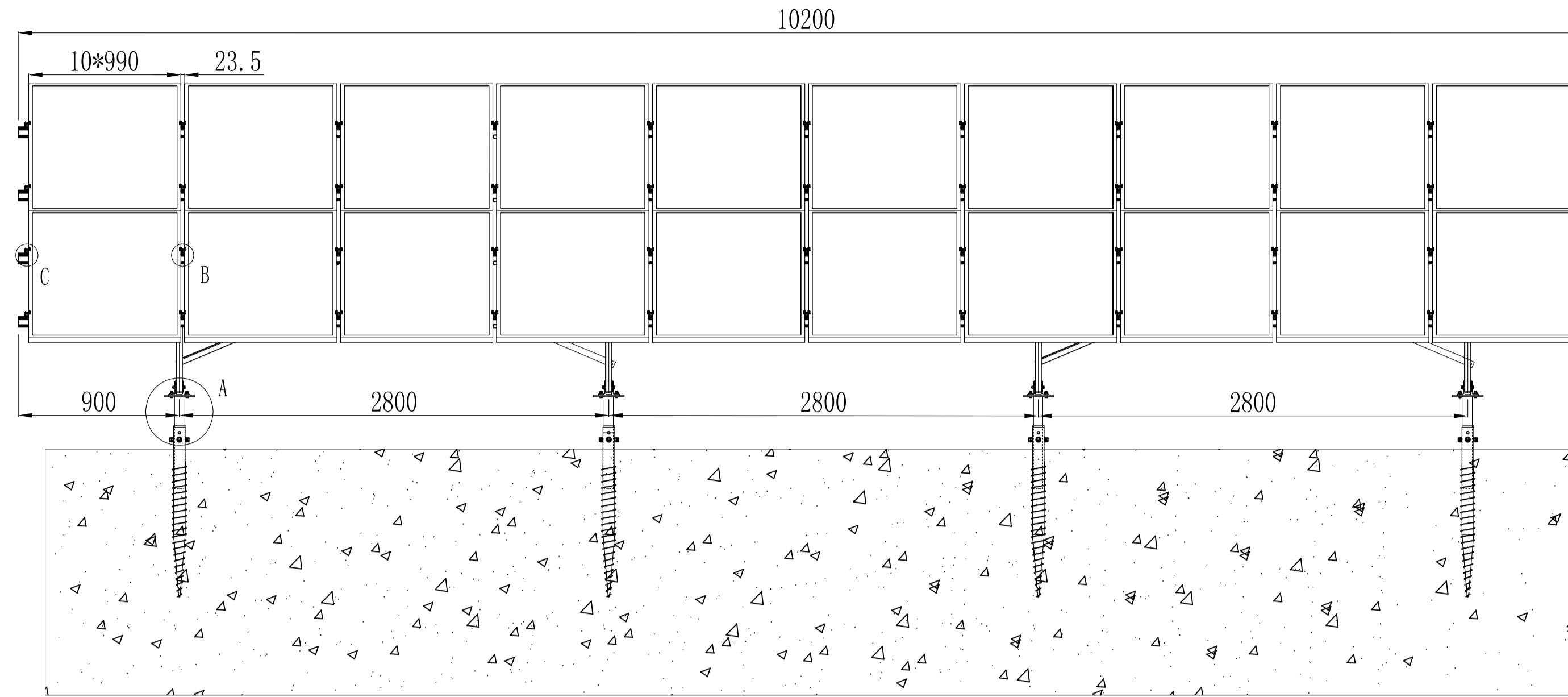


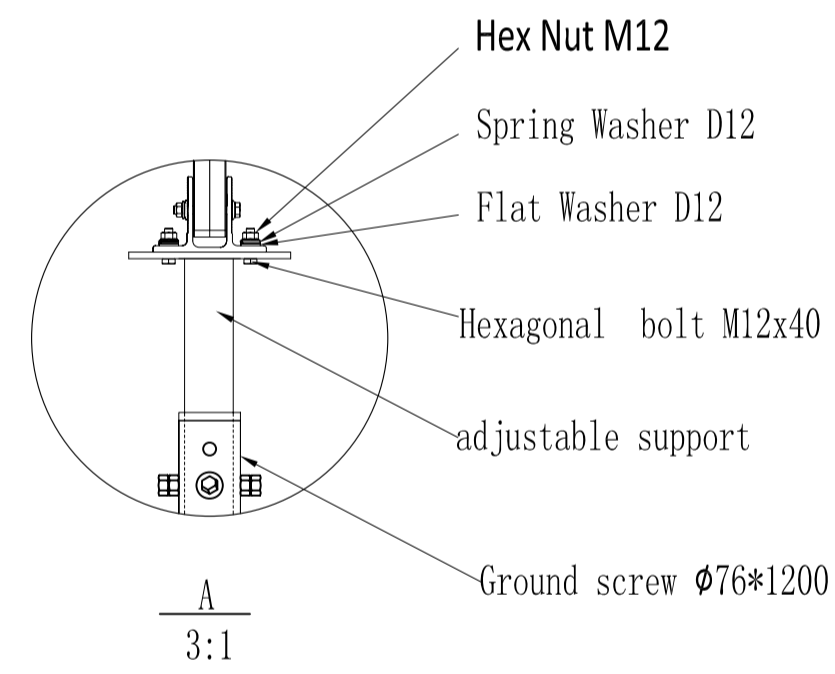
Terrain Rac N30/2Px1650 System for Australian Wind Region A & B
Ground Screw 76x1200 Foundation



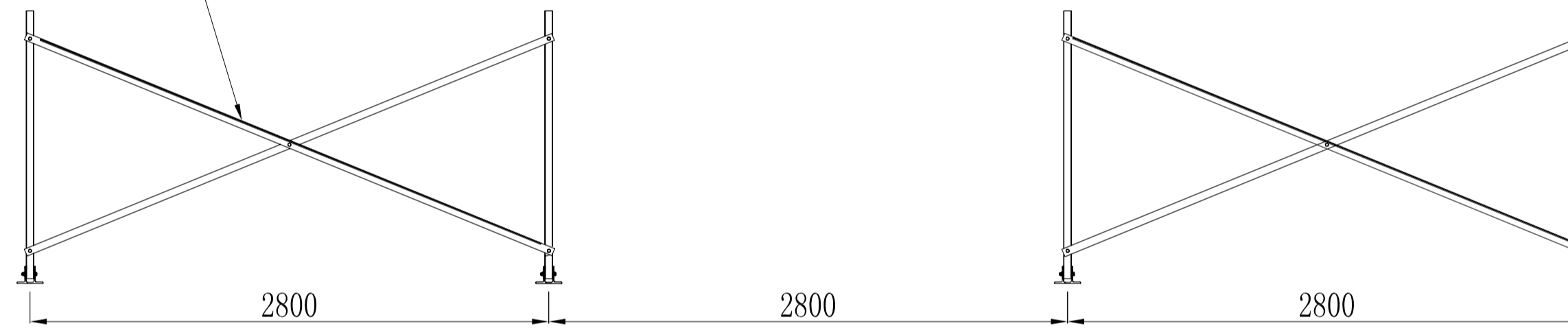
Side View



Front View



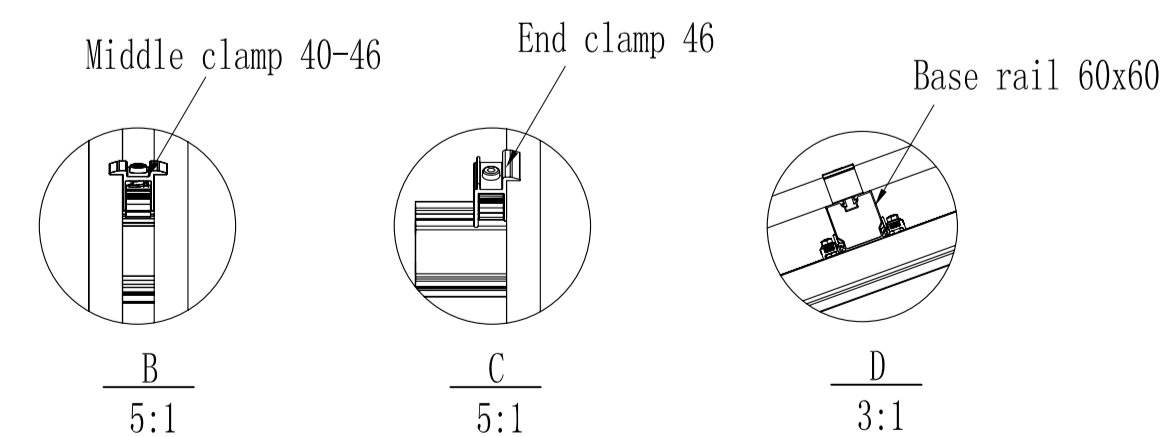
Wind Cross Set



Wind Cross Set Front View



Ground screw Top View



ITEM	DESCRIPTION	QTY	UNITS	WT/Per (kg)
1	TerrainRac N20/2P*1650	4	SETS	10.87
2	Base Rail 60*80-3400	12	PCS	4.25
3	Base Rail 60 Splice	8	SETS	0.25
4	Middle Clamp 40-46	36	SETS	0.053
5	End Clamp 40	8	SETS	0.056
6	Wind Cross Set 3075	2	SETS	6.56
7	adjustable support	8	PCS	3.7
8	Ground screw ϕ 76*1200	8	PCS	6.95

设计单位:
Design Company:



苏州瑞得恩光能科技有限公司
Suzhou Radiant Photovoltaic Technology Co.,Ltd

江苏省苏州市木渎镇尧峰路18号1幢
Building 1, NO.18 Yaofeng Road, Suzhou, China 215101
T: +86 0512-66572916 F: +85 0512-66572756
Http://www.radiantpv.com

建设单位 Contractor	
工程名称 Eng Name	
工程编号 Eng NO.	
项目名称 Proj Name	
项目编号 Proj NO.	
图纸名称 Dwg title	TerrainRac N30/2P*1650 with Ground screw
图号 Dwg NO.	
	签名 Sign
	日期 Date
设计 Designed by	
校对 Checked by	
审核 Reviewed by	
批准 Approved by	
工程负责 Eng leader	
项目负责 Proj leader	

共页 Total page	第页 Page	比例 Scale	
修改版次 Rev.		单位 Unit	MM

执业专用章
Practitioners Dedicated Seal

(按规定加盖)
Seal As Required

未盖出图专用章无效
Invalid With No Seal