

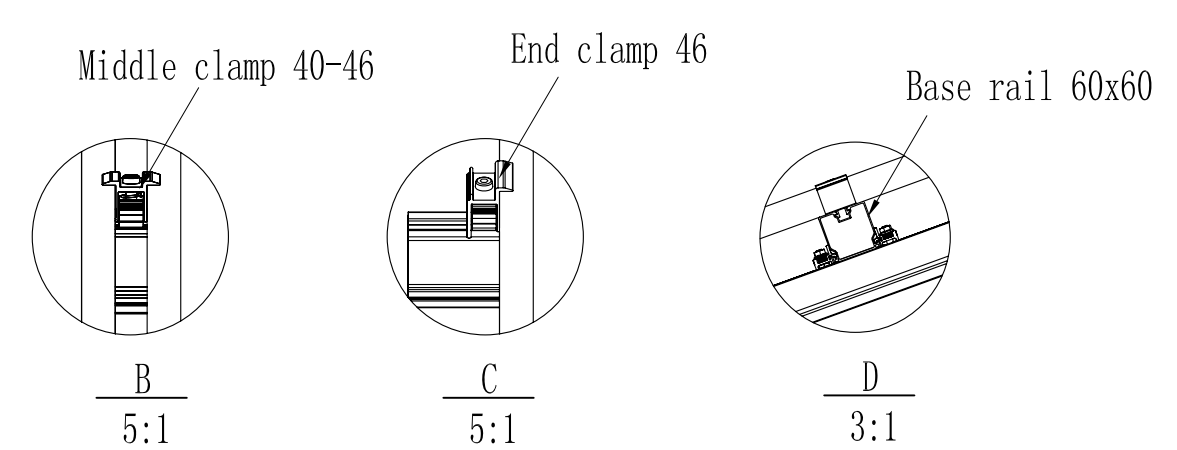
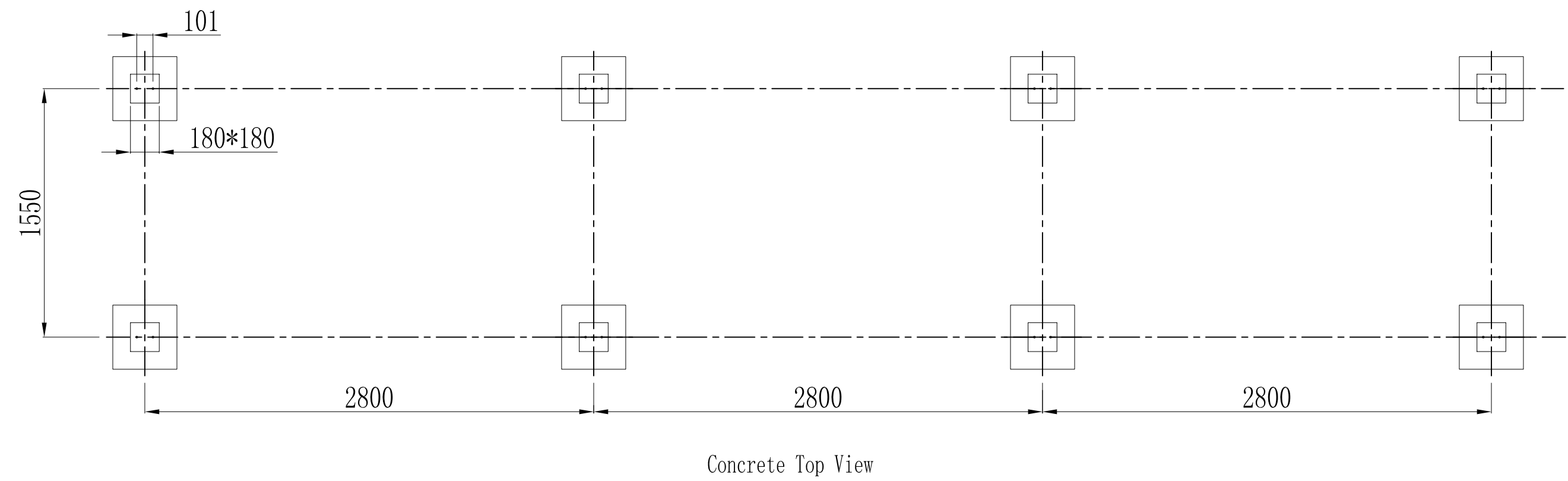
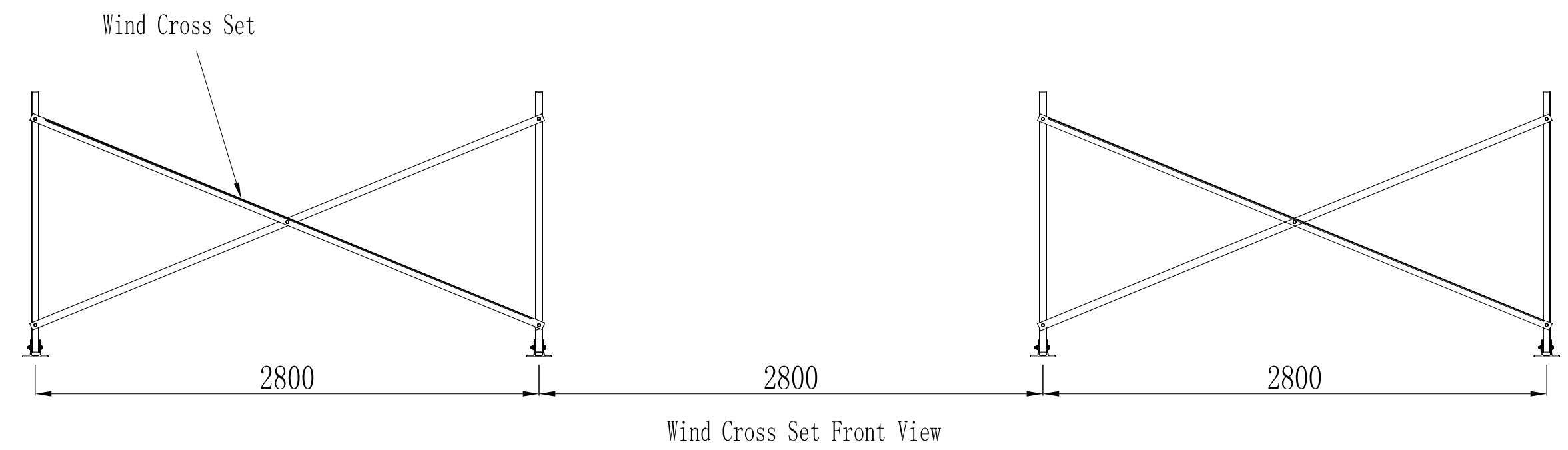
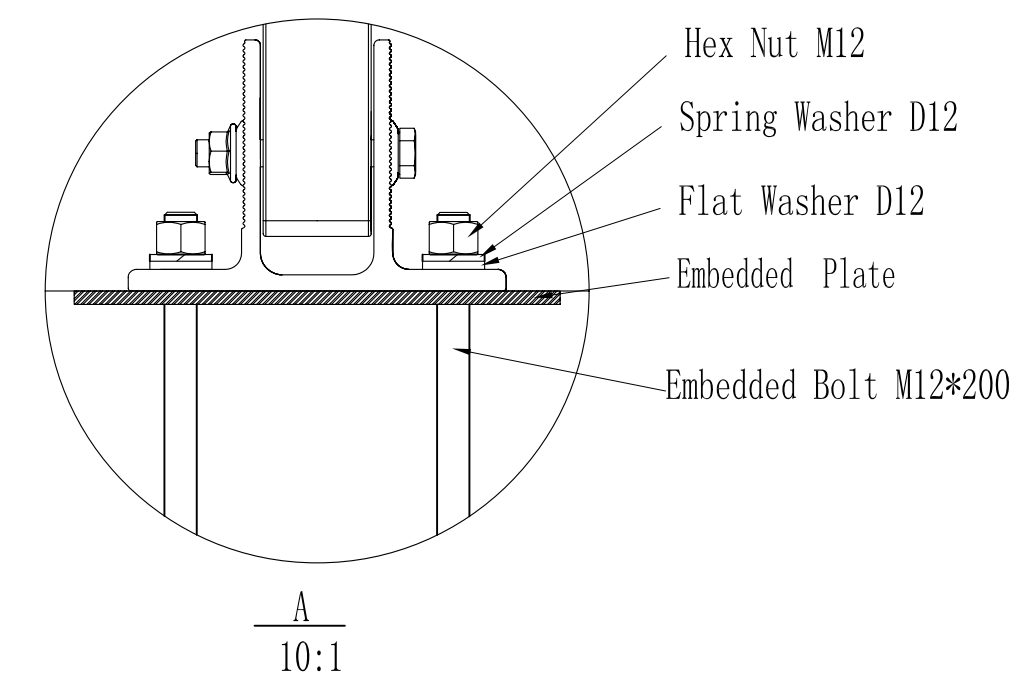
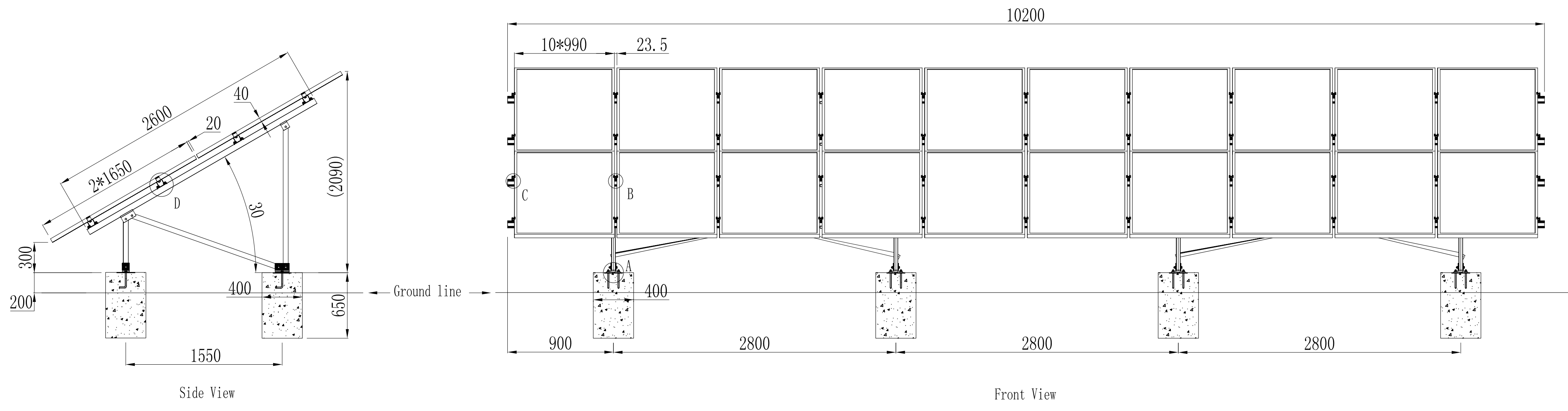
Terrain Rac N30/2Px1650 System for Australian Wind Region A & B
Concrete Foundation

设计单位:
Design Company:



苏州瑞得恩光能科技有限公司
Suzhou Radiant Photovoltaic Technology Co., Ltd

江苏省苏州市木渎镇尧峰路18号1幢
Building 1, NO.18 Yaofeng Road, Suzhou, China 215101
T: +86 0512-66572916 F: +85 0512-66572756
Http://www.radiantpv.com



ITEM	DESCRIPTION	QTY	UNITS	WT/Per (kg)
1	TerrainRac N20/2P*1650	4	SETS	10.87
2	Base Rail 60*80-3400	12	PCS	4.25
3	Base Rail 60 Splice	8	SETS	0.25
4	Middle Clamp 40-46	36	SETS	0.053
5	End Clamp 40	8	SETS	0.056
6	Wind Cross Set 3075	2	SETS	6.56
7	Embedded Plate	8	PCS	1.3
8	Embedded Bolt	16	PCS	0.24

建设单位 Contractor	
工程名称 Eng Name	
工程编号 Eng NO.	
项目名称 Proj Name	
项目编号 Proj NO.	
图纸名称 Dwg title	TerrainRac N30/2P*1650 with Concrete
图号 Dwg NO.	
	签名 Sign
	日期 Date
设计 Designed by	
校对 Checked by	
审核 Reviewed by	
批准 Approved by	
工程负责 Eng leader	
项目负责 Proj leader	

共 页 Total page	第 页 Page	比 例 Scale
修改版次 Rev.		单 位 Unit
		MM

执业专用章
Practitioners Dedicated Seal

(按规定加盖)
Seal As Required

未盖出图专用章无效
Invalid With No Seal